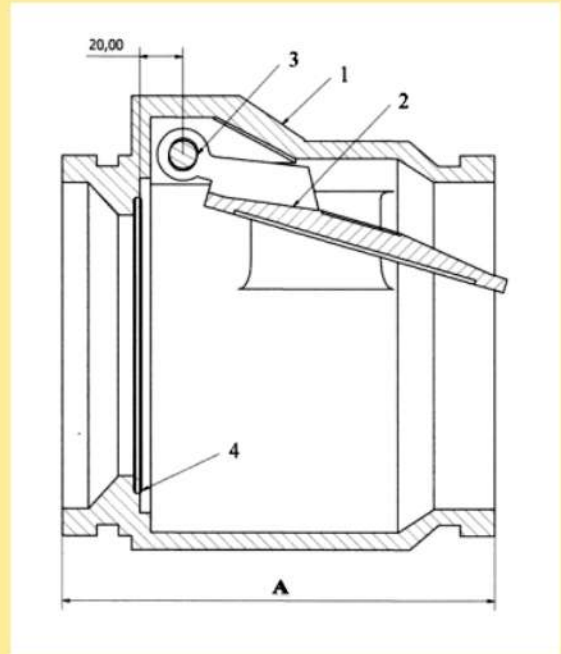


NON RETURN CHECK VALVES WITH ALVENIUS / KLAMBON ENDS PIPES



1.	Body	SG Iron
2.	Door	Stainless Steel
3.	Pin	Stainless Steel
4.	Seal	EPDM

Technical Features

- Designed to meet SABS / International Standards.
- Simple to Install & Operate and low maintenance cost.
- Shoulder Conforms to SANS 815-1
- Corrosion and Abrasion Resistant



DAMAN PIPE

Works : Plot No. 41, Indl. Area, Phase 9, Mohali-160062, Punjab. INDIA.
Mobile : +91-78378-11191, Telefax : +91-172-5094744
e-mail : sales@damanpipe.com Website : www.damanpipe.com